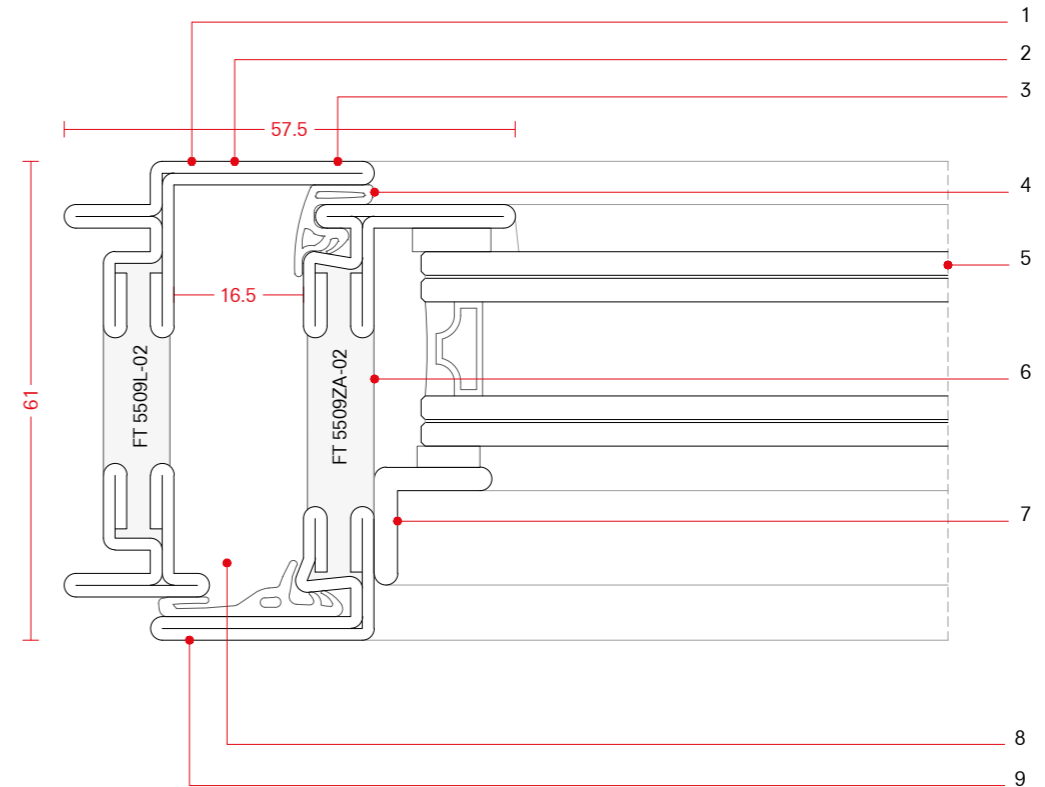


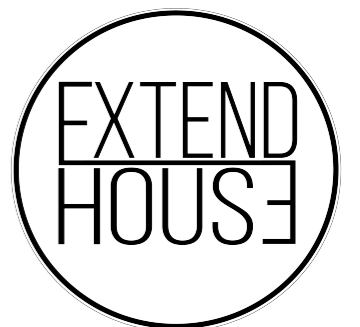
## FerroFinestra W50 TB

With the new FerroFinestra thermal barrier system W50 TB, E.H Limited carries on the window heritage in its most authentic form, proposing the same forms, proportions and overlapping effects of the original 20th Century hot rolled steel window profiles, refined by cold rolling technology. The innovative high-density polyurethane isolator used as thermal barrier, together with the possibility of housing low emissivity glass up to 37 mm, allow to fully respond to current regulations and contemporary needs for comfort, also in harsher weather conditions, where windows made from solid steel profiles may not be sufficient. The range is completed by a wide range of exclusive fittings in several finishes, reproduced from original designs of the modern era. Any kind of inward or outward openings are possible.



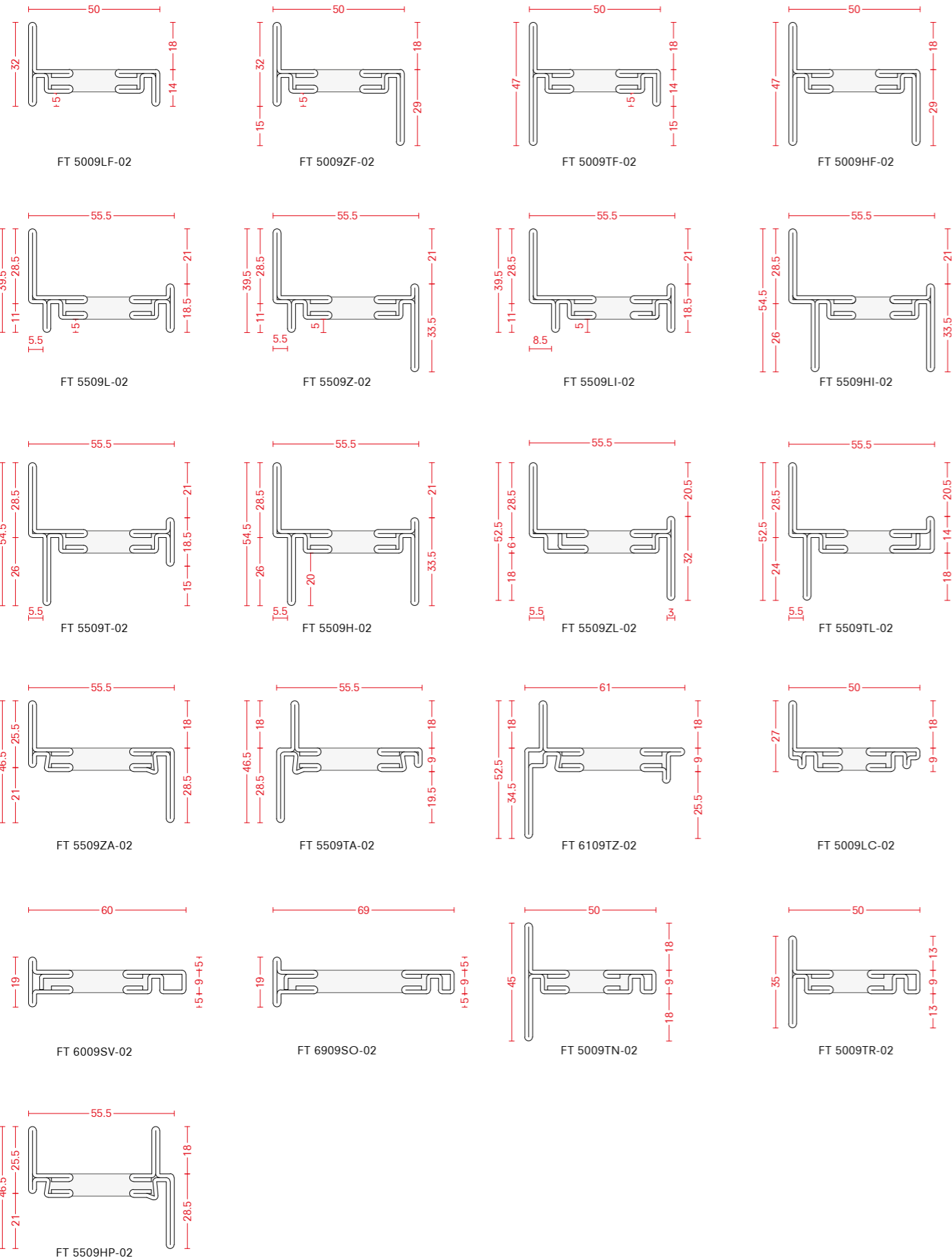
### FEATURES

1. Precision cold formed steel profiles of 1,5 mm thickness
2. Profiles have identical sightlines and proportions of FerroFinestra W40
3. Classic "stepped leg" design
4. Mechanically fixed rebate gaskets
5. Accommodates double and triple glazing up to 37 mm
6. High density cast in polyurethane isolator
7. Choice of different glazing beads
8. Compatible with 16 mm friction hinges
9. Fixed glazing, single-sash and double-sash, side-hung and bottom-hung windows opening inwards and outwards, top-hung, vertical and horizontal pivoting windows, windows and doors opening inwards and outwards



profile range - bar length 5800 mm

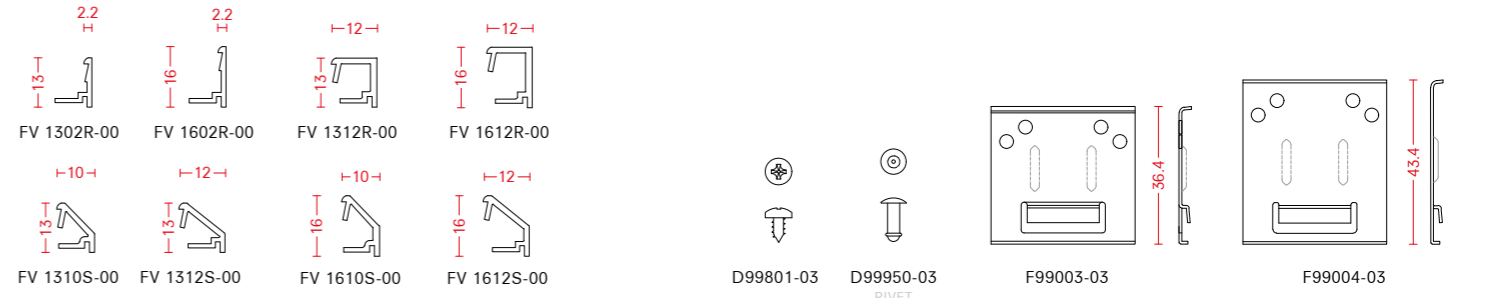
-02 Galvanized steel



snap-on glazing beads - bar length 5800 mm

clips

-00 Aluminium -03 Stainless steel AISI 304 2B



snap-on glazing beads - bar length 5800 mm

clips

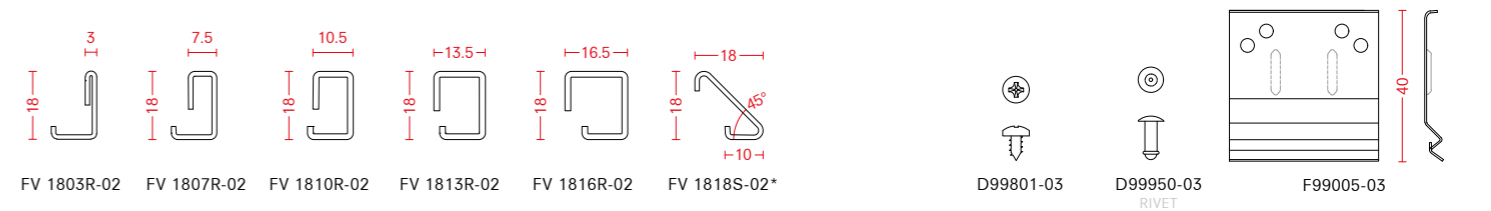
-00 Aluminium -03 Stainless steel AISI 304 2B



snap-on glazing beads - bar length 5800 mm

clips

-02 Galvanized steel -03 Stainless steel AISI 304 2B



screw-on glazing beads - bar length 5800 mm

fixing screws

-02 Galvanized steel -03 Stainless steel AISI 304 2B

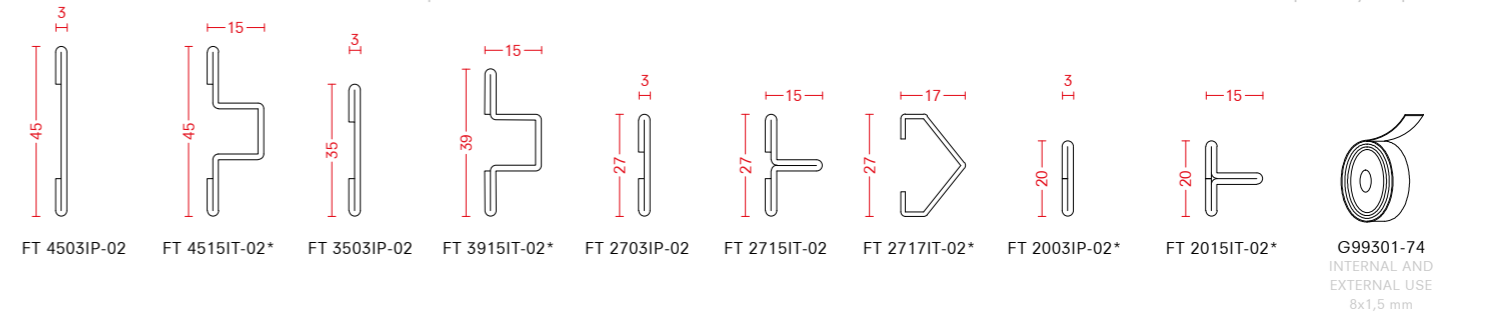


false muntins - bar length 3000 mm

double-side adhesive

-02 Galvanized steel -74 Adhesive strip

\*minimum quantity required



rebate gaskets

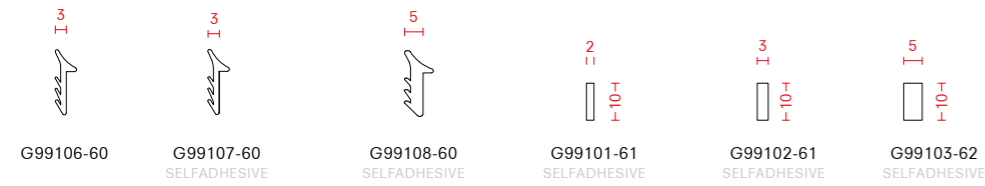
rebate gasket corners

-60 EPDM black -62 PVC -77 EPDM white



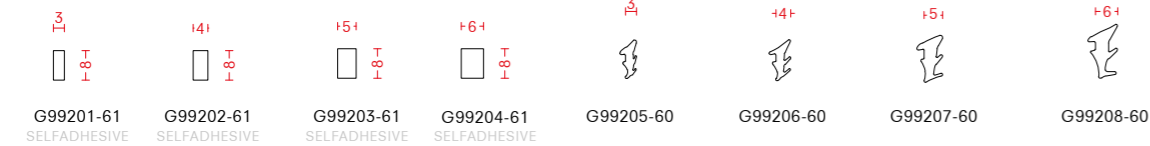
glass - external gaskets

-60 EPDM black -61 Neoprene -62 PVC



glass - internal gaskets

-60 EPDM black -61 Neoprene



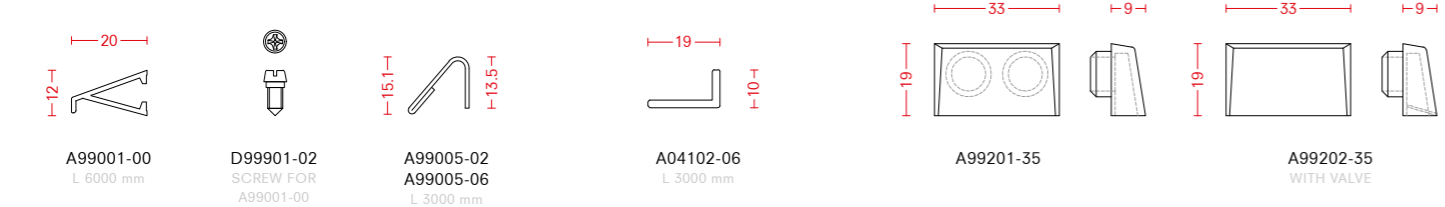
sealing profile

-69 Foam -73 Protective adhesive tape



weather bars

-00 Aluminium -02 Galvanized steel -06 Satin stainless steel AISI 316L -35 Black



end pieces

-03 Stainless steel AISI 304 2B



automatic drop seals

-35 Black -41 Grey RAL 7035 -62 PVC



spacer blocks

-03 Stainless steel AISI 304 2B -63 Polyethylene

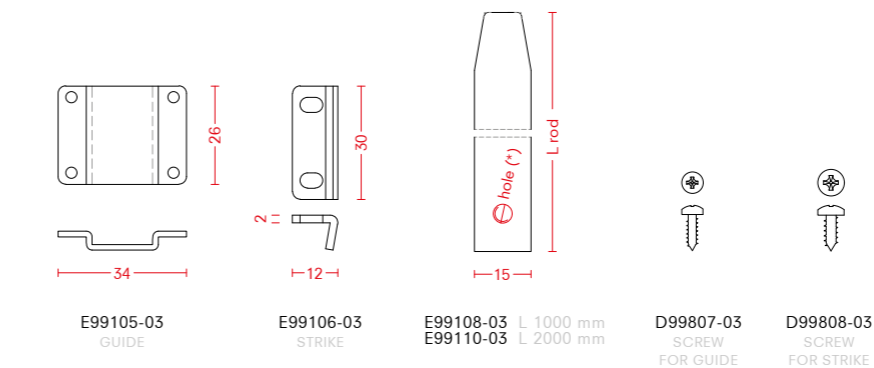


K04004 - WALL ANCHORING SET IN POLYETHYLENE		
Code	Quantity	Description
D04201-63	10	Polyethylene spacer block - 5 mm
D99813-03	20	Screw

K04005 - WALL ANCHORING SET IN POLYETHYLENE		
Code	Quantity	Description
D04202-63	10	Polyethylene spacer block - 20 mm
D99814-03	20	Screw

concealed push rod set

-03 Stainless steel AISI 304 2B



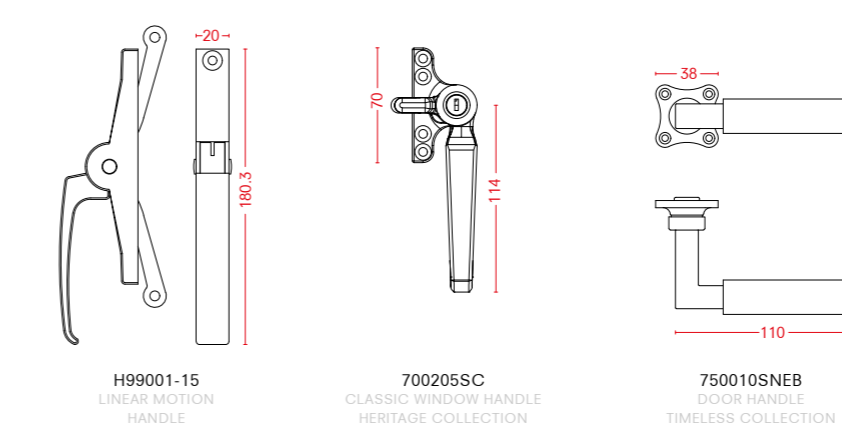
K04011 - SET - PUSH - RODS 1000+2000		
Code	Quantity	Description
E99108-03	1	Rod 1000 mm
E99110-03	1	Rod 2000 mm
E99105-03	5	Rod guide
E99106-03	2	Rod strike
D99807-03	20	Screw for guide
D99808-03	4	Screw for strike

K04010 - SET - PUSH - RODS 1000+1000		
Code	Quantity	Description
E99108-03	2	Rod 1000 mm
E99105-03	4	Rod guide
E99106-03	2	Rod strike
D99807-03	16	Screw for guide
D99808-03	4	Screw for strike

K04012 - SET - PUSH - RODS 2000+2000		
Code	Quantity	Description
E99110-03	2	Rod 2000 mm
E99105-03	6	Rod guide
E99106-03	2	Rod Strike
D99807-03	24	Screw for guide
D99808-03	4	Screw for strike

fittings examples - see accessories chapter for details

-15 Satin chrome SC Satin chrome B Satin black stainless steel SNEB Satin nickel/ebony wood



sideward cover cap for drop-down seal

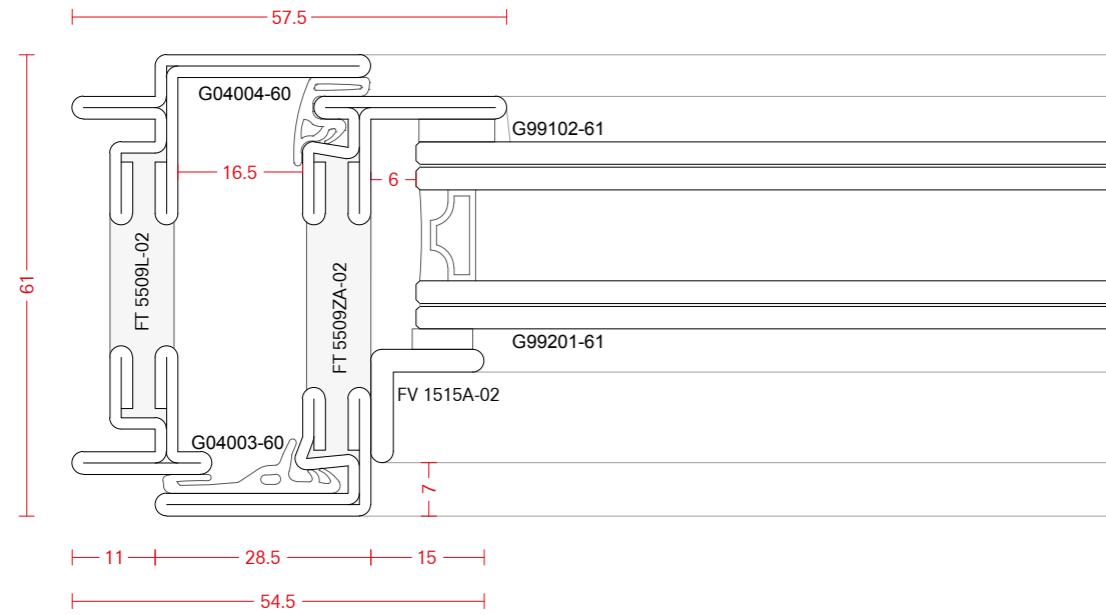


examples - open in

examples - open out

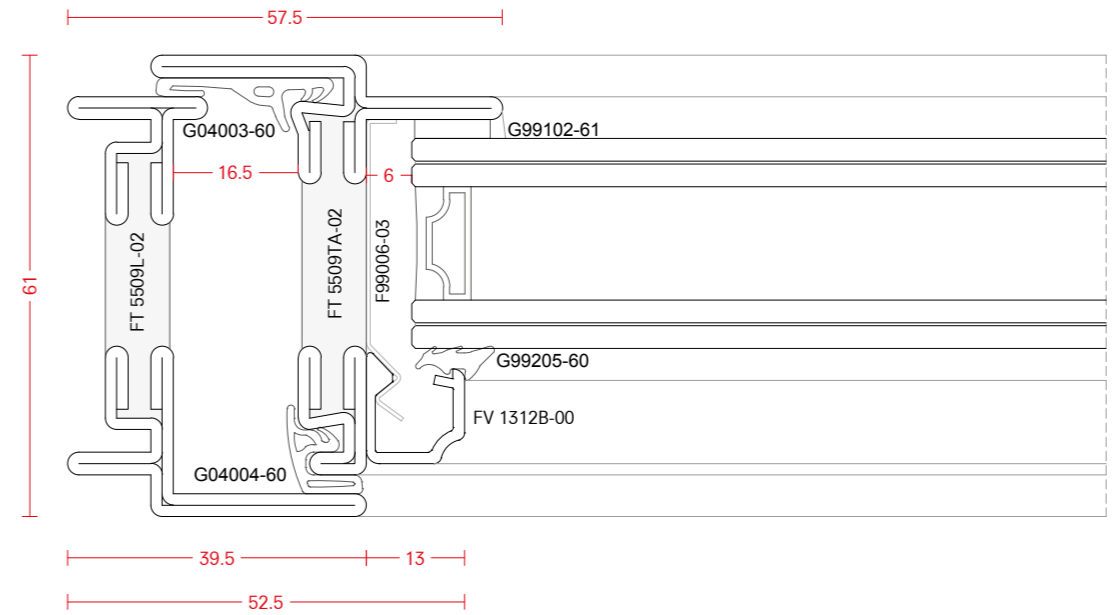
SECTION 1

EXTERNAL



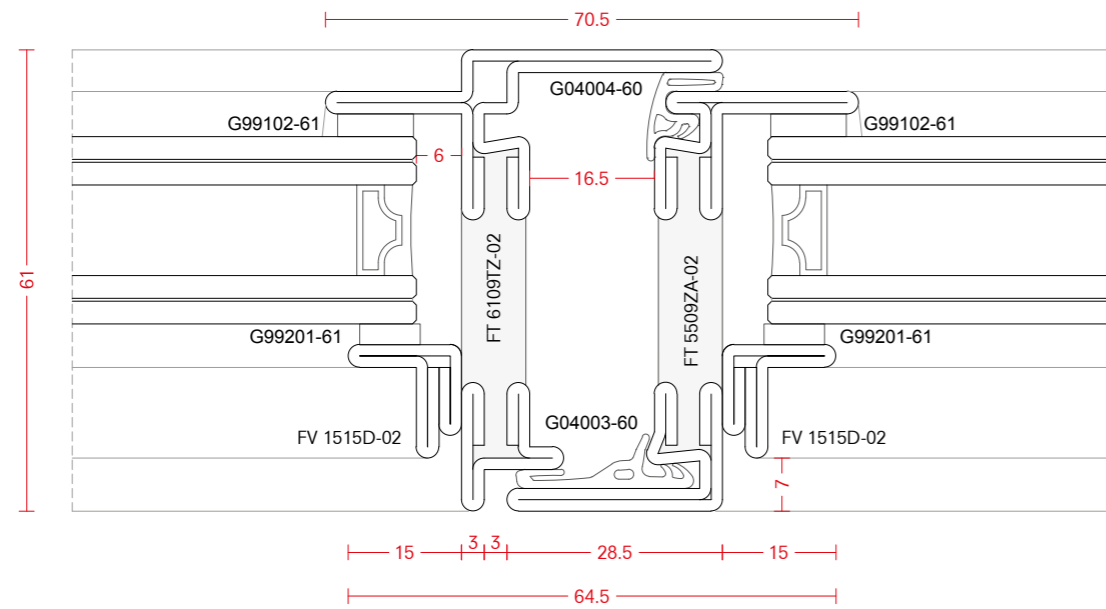
SECTION 3

EXTERNAL



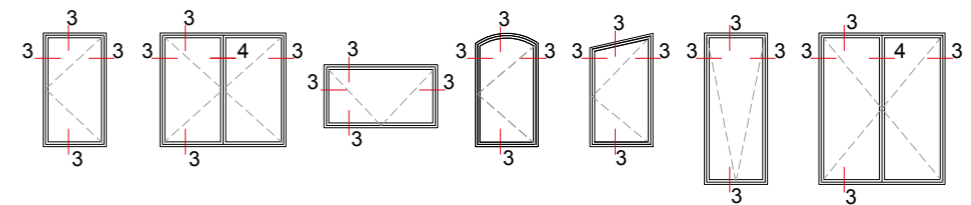
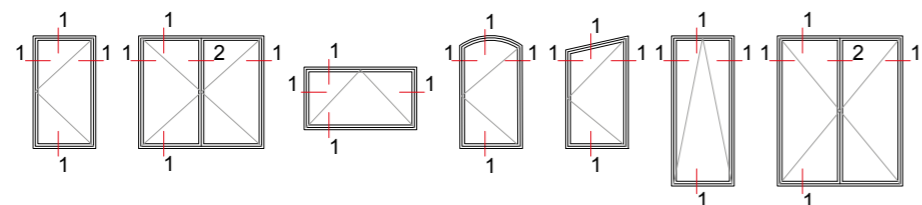
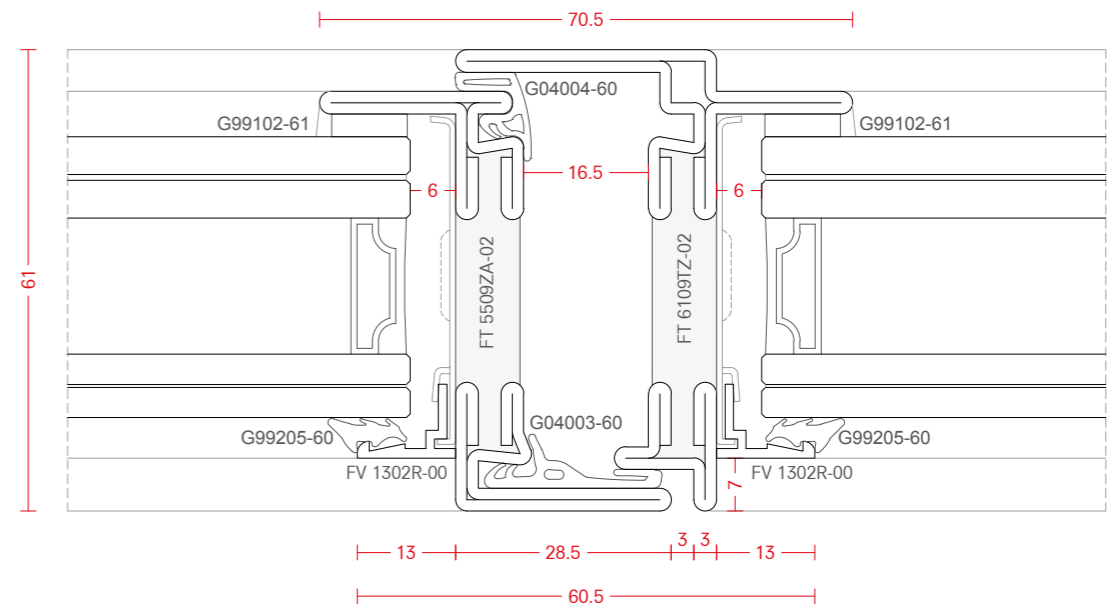
SECTION 2

EXTERNAL



SECTION 4

EXTERNAL

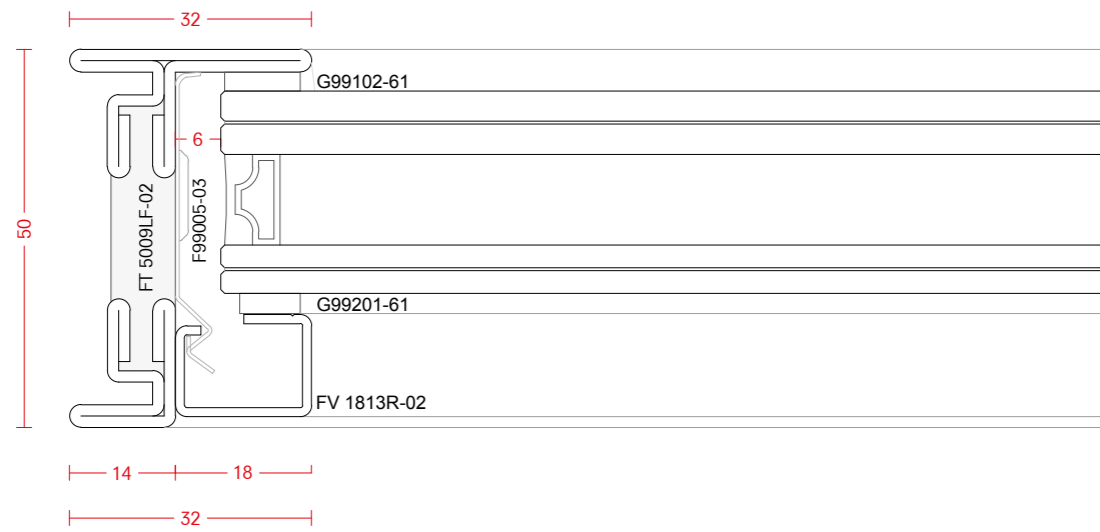


# FerroFinestra W50 TB

examples - fixed

SECTION 5

EXTERNAL



SECTION 6

EXTERNAL

