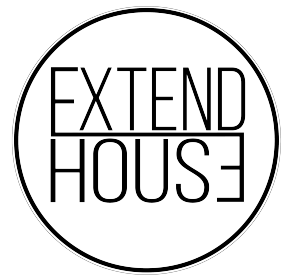


**OTTOSTUMM**  
distinctive steel window systems



**FerroFinestra®**  
**W75TB Profile**

OTTOSTUMM  
distinctive steel window systems



**FerroFinestra®**  
W75TB Profile



# OTTOSTUMM

distinctive steel window systems

## FerroFinestra® W75TB Profile

### The original steel window profiles of the 30's.

With the FerroFinestra® systems, OTTOSTUMM gives continuity to that style that, with its elegant and minimalistic lines, delighted European architecture. Ideal in restoration and fascinating in new buildings, steel window profiles allow creating wide openings with slender sightlines. We re-propose systems like the popular W20 or the more contemporary W40, which accompanied modern architecture through the twentieth century. Solid hot rolled steel profiles that confer extraordinary strength to windows, adorned with countless accessories recreated starting from the original designs of that epoch. Profiles able to accommodate as well low emissivity double-glazing up to 27mm. Windows and doors made from solid steel profiles, boasting high longevity thanks to heavy-duty corrosion protections like hot dip galvanizing, thermal zinc spraying or cataphoresis coating. Any kind of inward or outward openings: single and double-vents, side-hung, double-vent (French style), bottom-hung, top-hung or projected top-hung, horizontally and vertically pivoted windows, as well as large sliding and folding doors.

FerroFinestra®



## Steel | Cor-ten Steel | Stainless Steel

**The new FerroFinestra W75 TB system, which has been presented to the public for the first time at Bau 2019 in Munich, is the latest development from Ottostumm.**

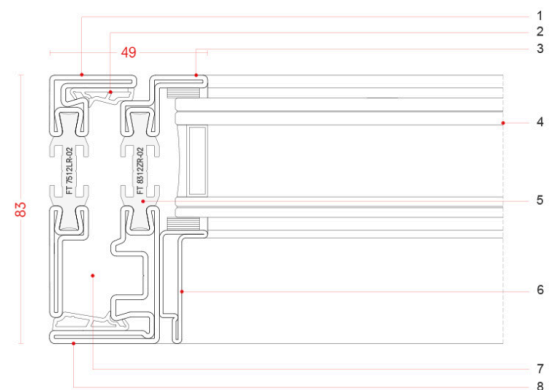
The slim lines and its visible and tactile surface structures have a strong emotional impact on the viewer. The system, consisting of 25 profile geometries, represents the most technologically advanced thermally insulated steel window system in our portfolio. The profile depth of 75 mm allows to accommodate highly energy-efficient insulating glazing up to 52 mm and the fiberglass-reinforced polyamide insulator guarantees excellent thermal insulation, making the system ideal for projects in climatically demanding regions, where energy-saving regulations are extremely high.

In addition to classic strip galvanizing, we also offer bright steel (not galvanized), cor-ten steel and stainless steel (1.4404) versions. The assortment is rounded off by a wide range of exclusive fittings and accessories reproduced from original designs of the modern age. This allows the realization of all common opening types (inside and outside opening) for windows and doors, including tilt and turn windows. The system is available with a flush or overlapping design.



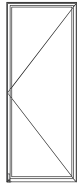
### Features of W75TB

1. 1.5 mm tubular profiles in bright steel, galvanized steel, cor-ten steel and stainless steel 1.4404
2. Mechanically fixed rebate gaskets
3. Very slender flush or overlapping sightlines
4. Profiles accommodate high-performance glazing
5. High performance thermal barrier
6. Wide range of square and angular glazing beads
7. Visible and concealed hardware
8. Fixed glazing, single-sash and double-sash, side-hung and bottom-hung windows opening inwards and outwards, top-hung, tilt and turn windows, vertical and horizontal pivoting windows, window and doors opening inwards and outwards

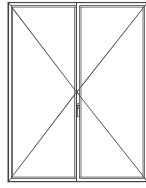


# OTTOSTUMM

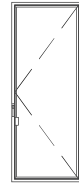
distinctive steel window systems



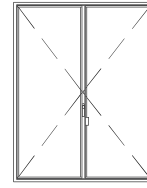
Single leaf  
side-hung window  
inward opening



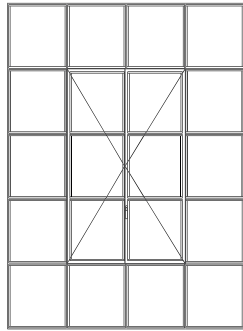
Double leaf  
side-hung window  
inward opening



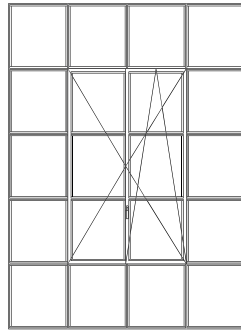
Single leaf  
side-hung window  
outward opening



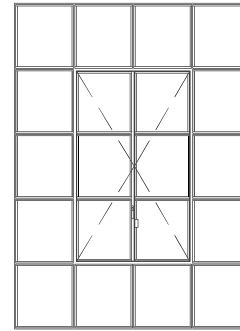
Double leaf  
side-hung window  
outward opening



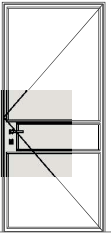
Double leaf  
side-hung window  
inward opening – industrial



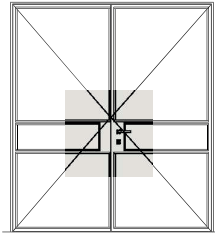
Double leaf  
tilt & turn window  
inward opening – industrial



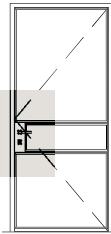
Double leaf  
side-hung window  
outward opening – industrial



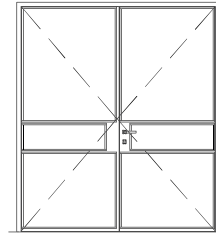
Single leaf door  
inward opening



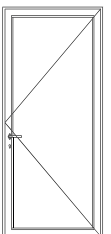
Double leaf door  
inward opening



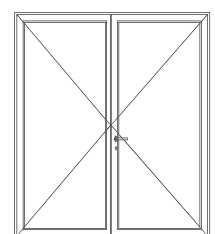
Single leaf door  
outward opening



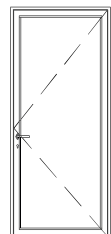
Double leaf door  
outward opening



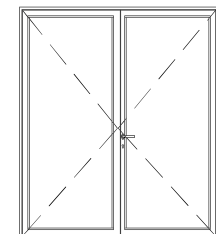
Single leaf door  
inward opening



Double leaf door  
inward opening



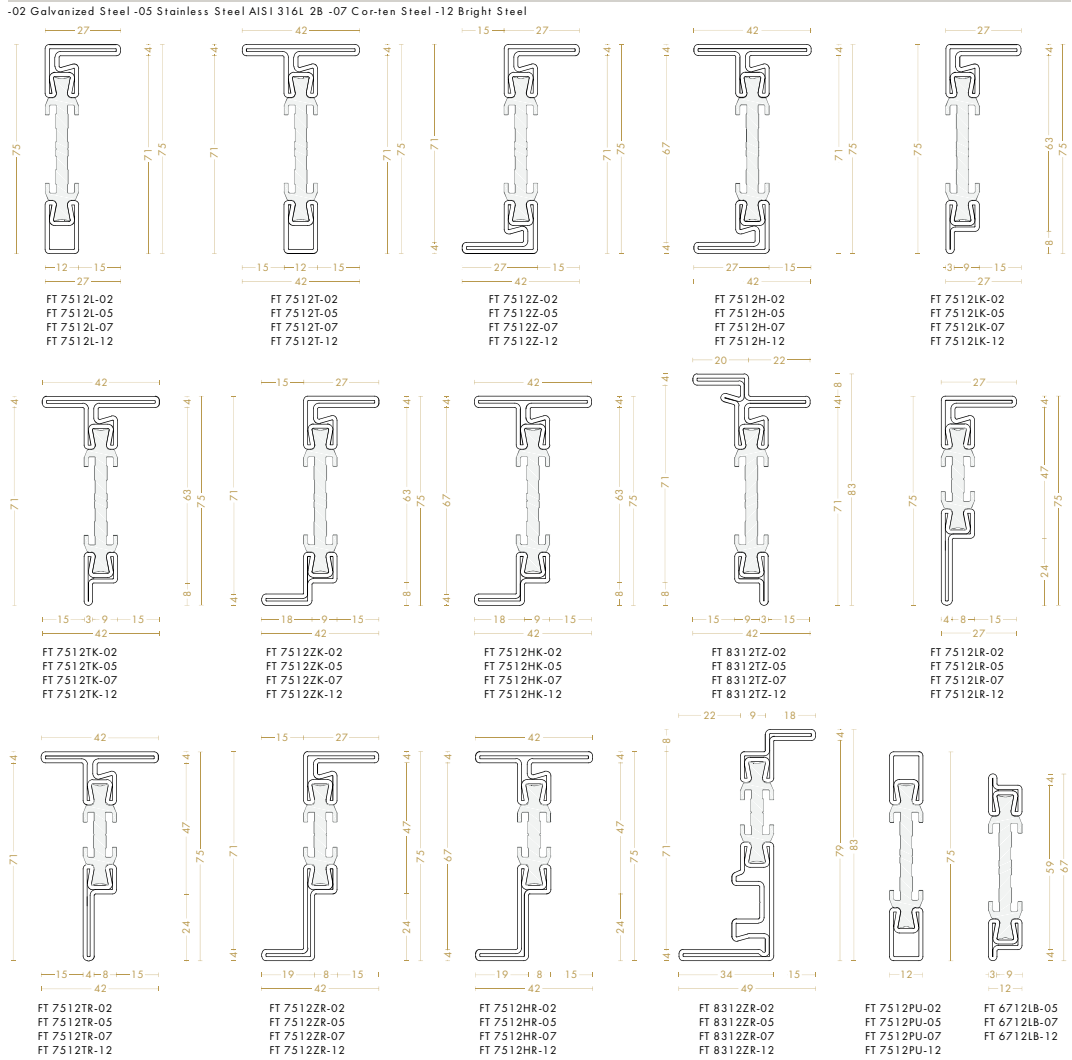
Single leaf door  
outward opening



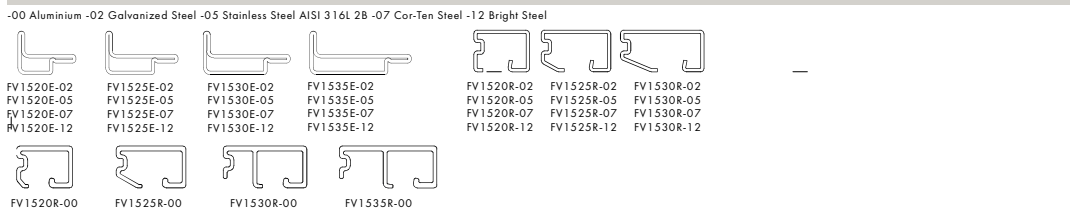
Double leaf door  
outward opening

## FerroFinestra W75 TB

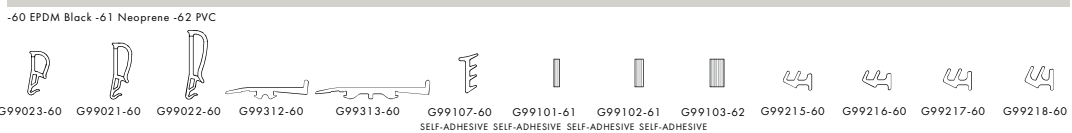
### Profile range – windows



### Glazing beads

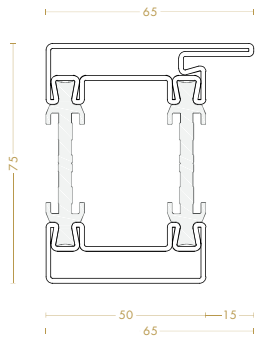


### Gaskets

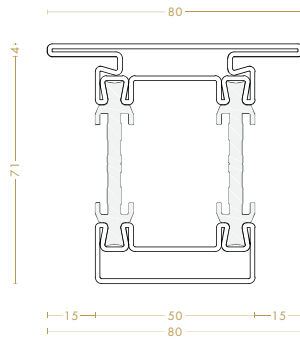


## Profile range – doors

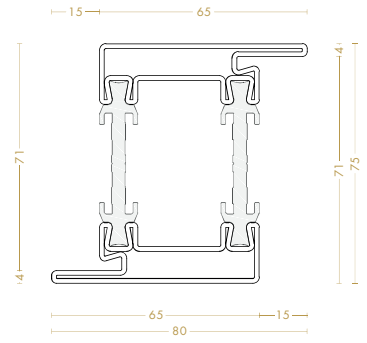
-02 Galvanized Steel -05 Stainless Steel AISI 316L 2B -07 Cor-ten Steel -12 Bright Steel



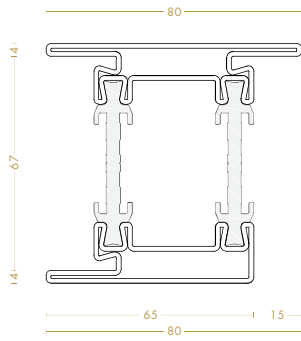
FT 7550LF-02  
FT 7550LF-05  
FT 7550LF-07  
FT 7550LF-12



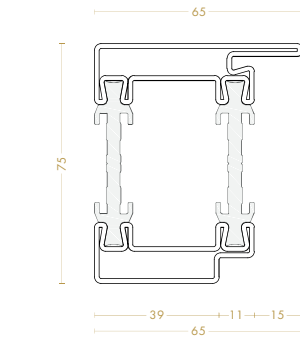
FT 7550TF-02  
FT 7550TF-05  
FT 7550TF-07  
FT 7550TF-12



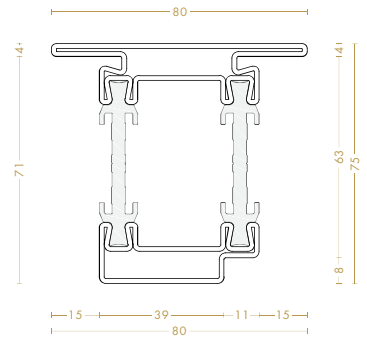
FT 7550ZF-02  
FT 7550ZF-05  
FT 7550ZF-07  
FT 7550ZF-12



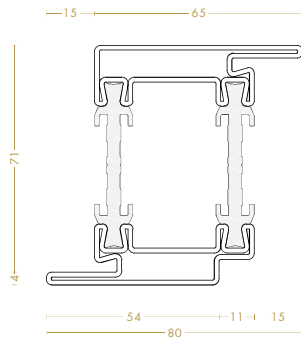
FT 7550HF-02  
FT 7550HF-05  
FT 7550HF-07  
FT 7550HF-12



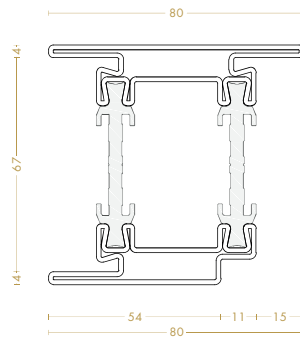
FT 7550L-02  
FT 7550L-05  
FT 7550L-07  
FT 7550L-12



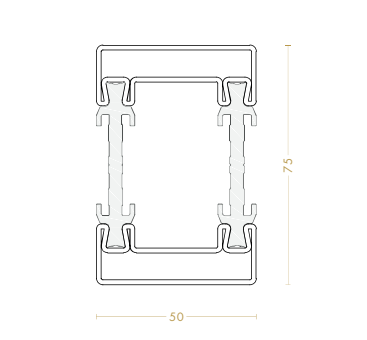
FT 7550T-02  
FT 7550T-05  
FT 7550T-07  
FT 7550T-12



FT 7550Z-02  
FT 7550Z-05  
FT 7550Z-07  
FT 7550Z-12



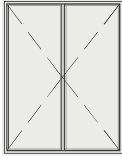
FT 7550H-02  
FT 7550H-05  
FT 7550H-07  
FT 7550H-12



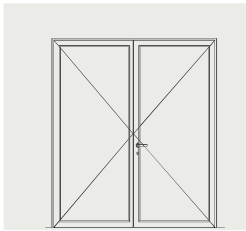
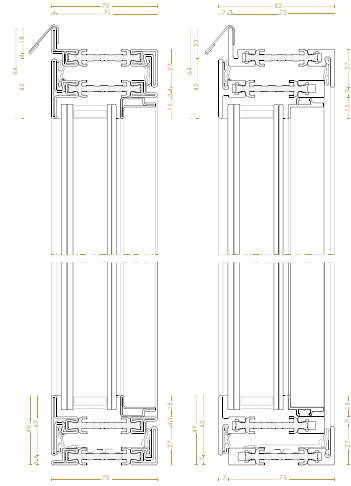
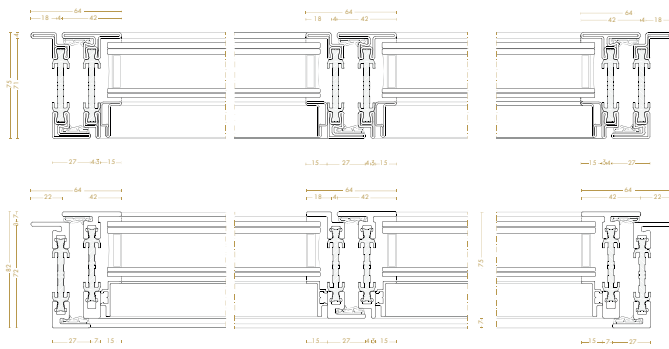
FT 7550PU-02  
FT 7550PU-05  
FT 7550PU-07  
FT 7550PU-12

## FerroFinestra W75 TB | BronzoFinestra B75 TB

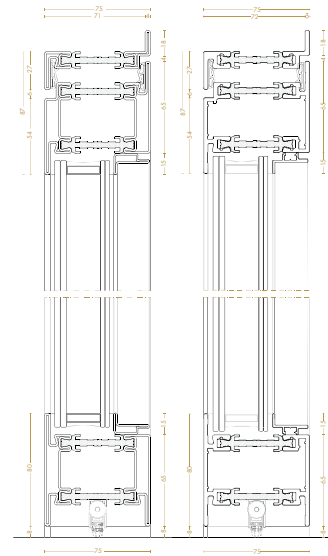
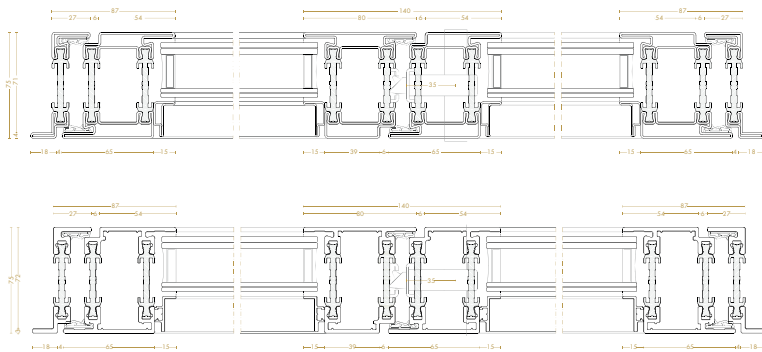
EXAMPLES OF APPLICATIONS



Double leaf side-hung window  
outward opening



Double leaf door  
inward opening





# Here to talk

UNITED KINGDOM

[info@extend.house](mailto:info@extend.house)  
[www.extend.house](http://www.extend.house)

+44 (0) 7925 020815

[facebook.com/extend.house](https://facebook.com/extend.house)  
[instagram.com/extend.house](https://instagram.com/extend.house)

[www.extend.house](http://www.extend.house)